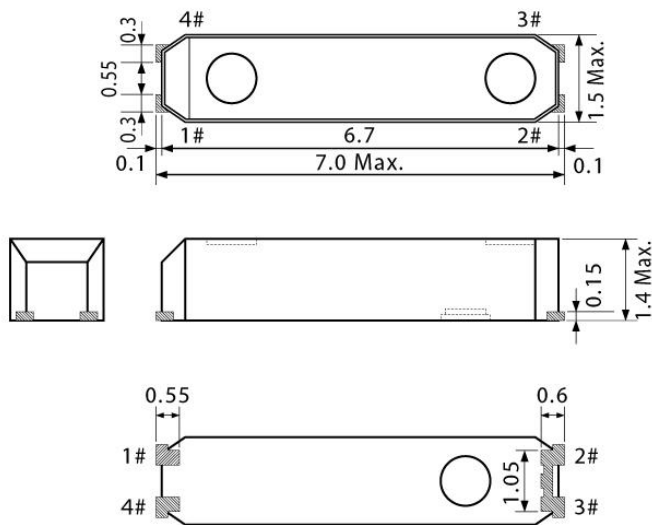


FS71-32.768KHZ-7-48-R Tuning Fork Crystal-Surface Mount

FREQUENCY	32.768 KHZ
FREQUENCY TOLERANCE AT 25°C	±20 PPM
AGING CHARACTERISTICS	±3 PPM max./first year
SHUNT CAPACITANCE (C ₀)	0.8 pF Typical
LOAD CAPACITANCE	7 pF
EQUIVALENT SERIES RESISTANCE	65 KΩ max.
TURNOVER TEMPERATURE	+25°C ± 5°C
DRIVE LEVEL	0.1 μW max.
TEMPERTURE COEFFICIENT	-0.034±0.006PPM/°C ² Max
MOTIONAL CAPACITANCE	1.9 fF Typical
OPERATING TEMPERATURE RANGE	-40 TO +85°C
STORAGE TEMPERATURE RANGE	-55 TO +125C
INSULATION RESISTANCE	500M OHM Min



MODEL NUMBER:		FS71-32.768KHZ-7-48-R	
DWG:	LD	P.N:	
Quote #:		DATE:	8/1/13
Rev - 00		Page - 1	