



North Industrial Area P.O.Box 268 Or-Aqiva 30600 ISRAEL

Tel: + 972 (0) 462 63891 Fax: + 972 (0) 4626 3715

E-mail: rfq@time.co.il URL: http://www.time.co.il

Dual in line VCXO's

MODEL	V1	V8 , V20	V9	V22
FREQ' RANGE	10.00 to 80.00 MHz	1.00 to 200.00 MHz	300.00 to 750.00 MHz	
FREQ' STABILITY VS. TEMP'	See "How - To - Order" instructions			
CALIBRATION AT 25°C & NOMINAL VC	Typical: ±25 PPM Best: ±15 PPM	Typical: ±25 PPM Best: ±5 PPM		
FREQ' STABILITY VS. SUPPLY VARIATION (±5%)	Typical: ±5 PPM Best: ±3 PPM	Typical: ±3 PPM Best: ±1 PPM		
FREQ' STABILITY VS. LOAD VARIATION (±10%)	Typical: ±3 PPM	Typical: ±3 PPM Best: ±1 PPM		
AGING	±2 PPM Max. first year	±1 PPM Max. per year		
OUTPUT WAVEFORM	See "How - To - Order" instructions Symmetry: (50 ±10%) or (50 ±5%)			
	HCMOS, TTL, Clipped Sine Wave	All options	All options except Sine Wave	
LOAD	10 Gates for logic output 20KΩ // 10 pF for clipped Sinewave 50Ω to -2V for ECL 50Ω to +3V for PECL 50Ω for Sine Wave			
SUPPLY VOLTAGE	+5.0 Vdc ±5% for HCMOS, TTL, PECL, and Sine Wave -5.2 ±5% Vdc for ECL			+3.3 Vdc ±5%
SUPPLY CURRENT	35 mA Max. for frequencies between 10.000 to 25.000 MHz 60 mA Max. for other frequencies			
FREQ' DEVIATION RANGE	See "How - To - Order" instructions			
NOMINAL CONTROL VOLTAGE	+2.5V for +5.0V -2.5V for -5.2V			+1.65V
CONTROL VOLTAGE RANGE	+0.5 to +4.5V for +5.0V -0.5 to -4.5V for -5.2V			0.3 to +3.0V
LINEARITY	±10% Max. Tighter linearity is possible			
SLOPE	Positive			
MODULATION FREQUENCY	10 KHz (3 dB)			
INPUT IMPEDANCE	50 KΩ Min.			
PACKAGE	DIP-14, 4 pins 20.7 X 13.1 X 5.0 mm.	20.7 X 13.1 X 7.62 mm.	DIP-14, 5 pins 20.7 X 13.1 X 7.62 mm. Gull Wing	DIP-14, 5 pins 20.7 X 13.1 X 7.62 mm.

Environmental Conditions

SHOCK

IEC 68-2-27 (Test Ea) 30G, 18 mSec, Half Sine

VIBRATION

IEC 68-2-6 (Test Fc), 0.35mm, 5G, 10-2000Hz, 6 cycles/ axis

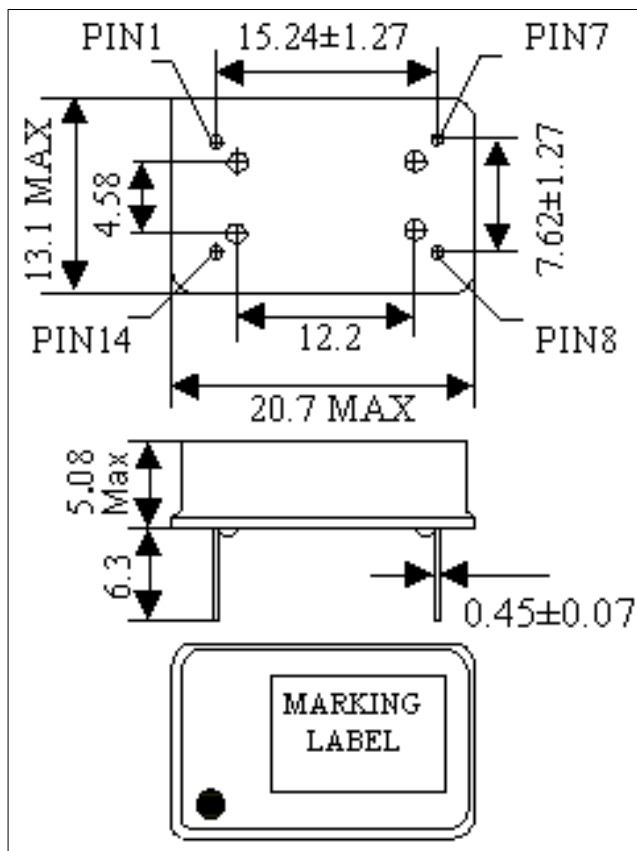
THERMAL SHOCK

IEC 68-2-14 (Test Na), 30 min. in each extreme temperature

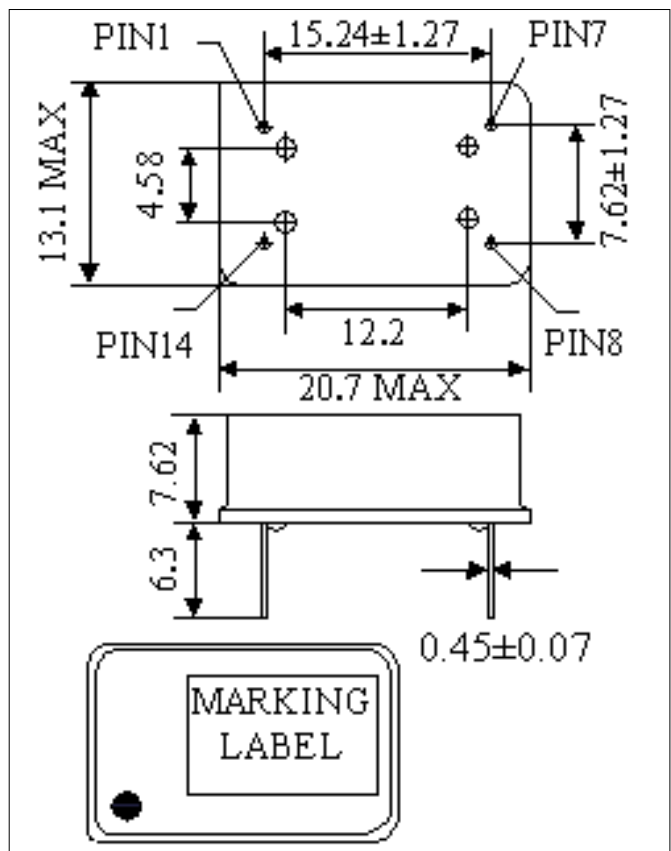
SOLDERING HEAT

IEC 68-2-20A 230°C ±5°C for 10 Sec.

V1



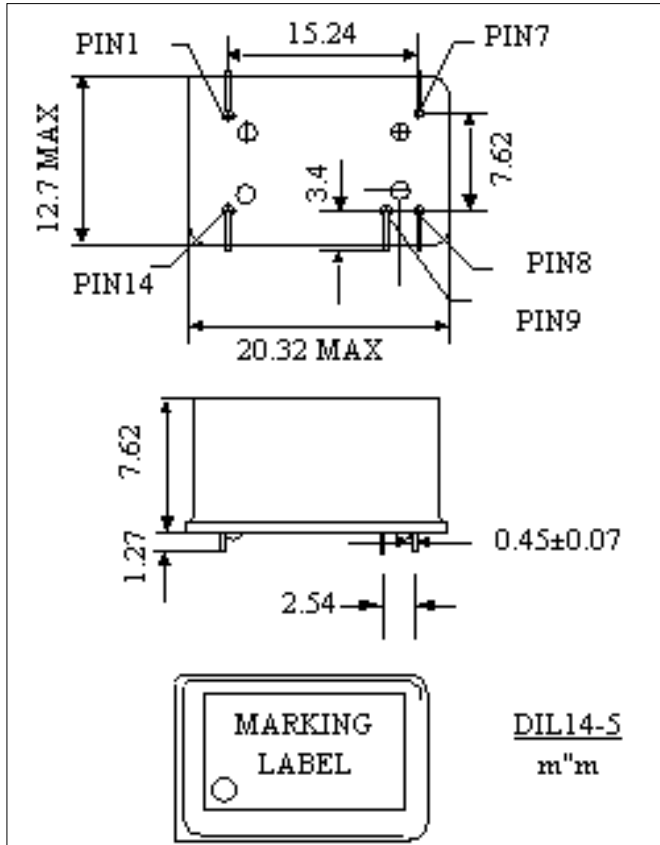
V8, V20



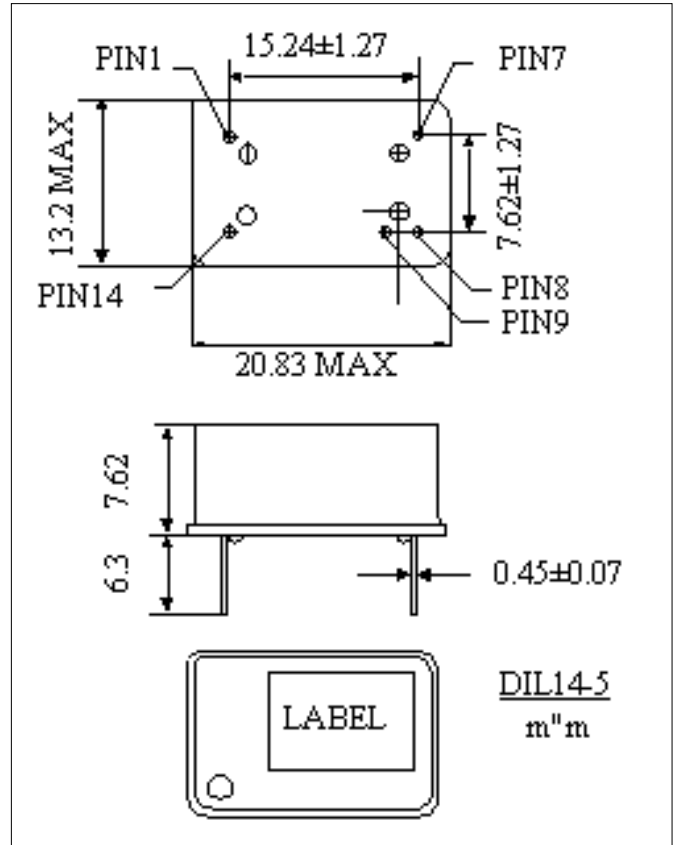
Pin	Function
1	V control
7	GND
8	Output
14	Vcc

Dimensions in mm.

V9



V22



Pin	Function
1	V control
7	GND/CASE
8	Output +
9	Output -
14	Vcc

Dimensions in mm.