



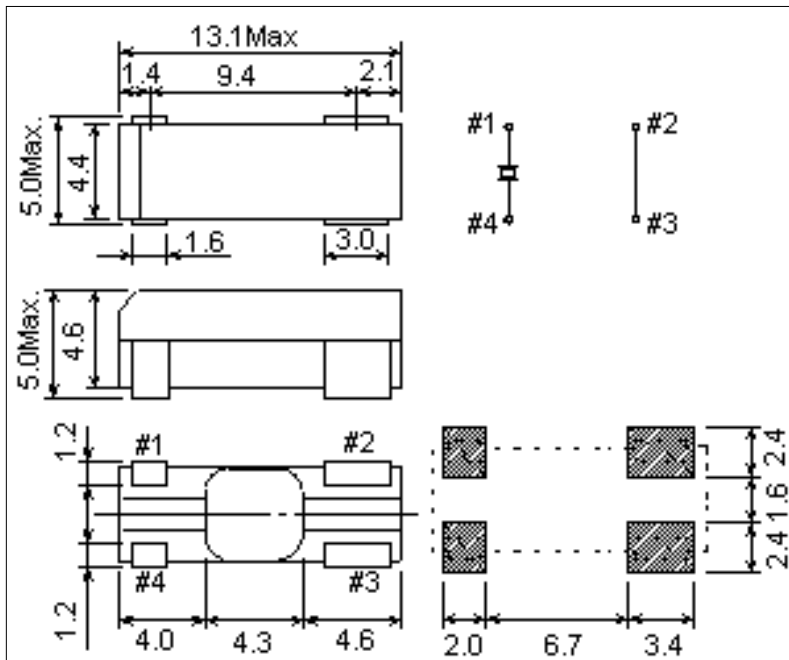
North Industrial Area P.O.Box 268 Or-Aqiva 30600 ISRAEL

Tel: + 972 (0) 462 63891 Fax: + 972 (0) 4626 3715

E-mail: rfq@time.co.il URL: http://www.time.co.il

AT STRIP Crystals

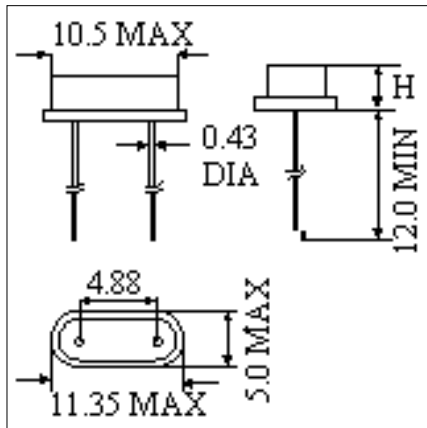
MODEL	ST	X9S	S9
FREQUENCY RANGE (MHZ)	3.50-30.00	3.60-40.00	
FUNDAMENTAL OVERTONE	30.00-70.00	24.00-70.00	
AGING	±5 PPM Max. for the first year		
SHUNT CAPACITANCE	7 pF Max.		
DRIVE LEVEL	0.1 mW Max.		
LOAD CAPACITANCE	Series or 12 to 32 pF Parallel		
OPERATING TEMP' RANGE	-10 to +70°C or -40 to +85°C		
STORAGE TEMPERATURE	-55 to +125°C		
TOLERANCE AT +25° C	± 10 PPM to ± 100 PPM Standard: ± 50 PPM		
STABILITY OVER TEMP' RANGE	± 10 PPM to ± 100 PPM Standard: ± 50 PPM		
EQUIVALENT SERIES RESISTANCE	See ESR Table		
PACKAGE	Plastic Surface Mount Package	HC49/S	HC49/S - SMD



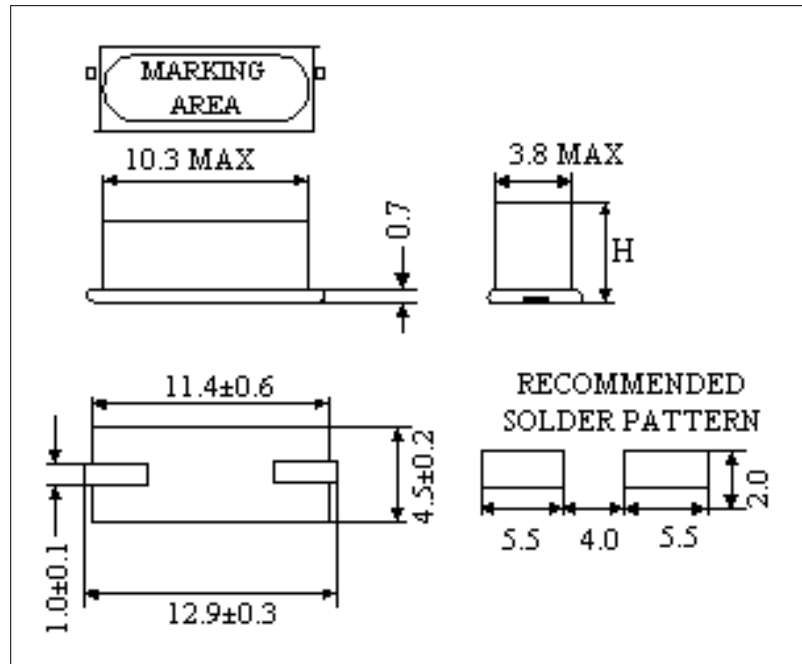
ST

Dimensions in mm.

X9S



S9



S9, X9S	
STD	3.5
H30	3.0
H40	4.0

Dimensions in mm.

[AT CUT STRIP Crystals](#) [to top](#)